



PolyWIP™ Pulp Lifters

Polycorp has a long, successful heritage in the mining industry and is recognized as one of the leading mill liner manufacturers in the world.

Proudly manufactured in Canada, Polycorp has supplied mill liner solutions for more than 500 mills worldwide.

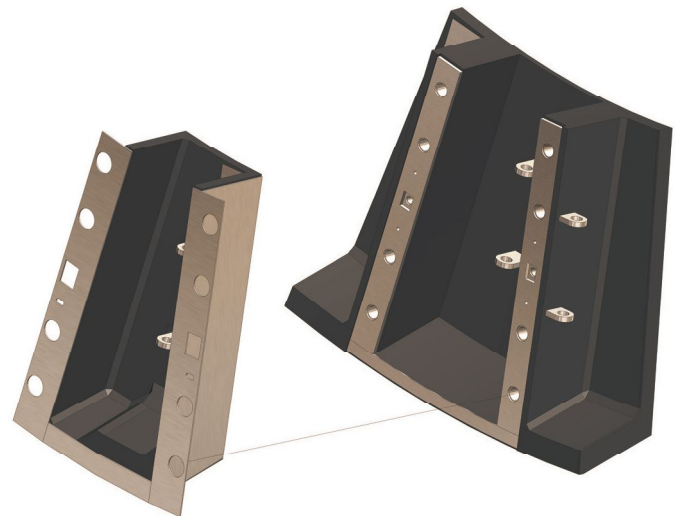
Polycorp's engineering experts can help assess your needs, and provide custom solutions designed for your specific application and operating conditions.

Polycorp offers superior after sales Technical Support to help you get the most from your mill operations.

Polycorp Pulp Lifters are specially designed to improve throughput and increase mill life.

PolyWIP™ Pulp Lifter Inserts extend the life of prematurely worn pulp lifters. These inserts can be used on top of the newer worn rubber or steel pulp lifters and are held in the mill with the existing grate bolt holes, so no extra fixing is required.

PolyWIP™ decreases mill shut down times, increases mill availability, **saving time and money.**



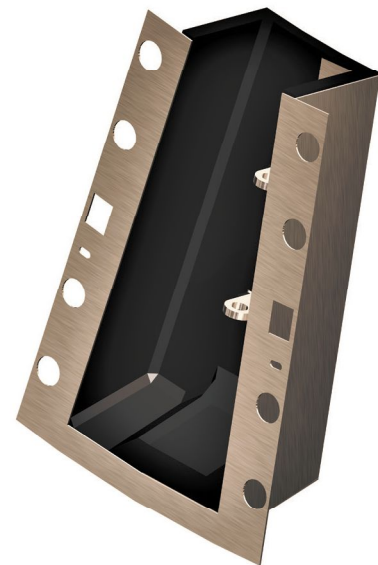
Polycorp Pulp Lifters are specially designed to improve mill throughput and increase life.

Polycorp PolyWIP™ Inserts are suitable for use in the following applications:

- **SAG** (Semi-Autogenous Grinding) Mills
- **AG** (Autogenous Grinding) Mills
- Large Grate Discharge **Ball Mills**

Advantages of PolyWIP™ Inserts:

- **Increased life** of existing pulp lifters.
- **Easy** to install, using existing grate bolt holes.
- Inserts can be used on top of the newer worn rubber or steel pulp lifters, and there is **no need to replace** the prematurely worn pulp lifters.
- Inserts are held in place with the existing grate bolt holes. No extra fixing is required.
- Inserts will prevent further wear and the **life** of the pulp lifter set will **increase**.
- **PolyWIP™ reduces mill shutdown time, increasing mill availability and reduces costs** per tonne of ore grinding.



High Quality = Reduced Risk = Lower Cost